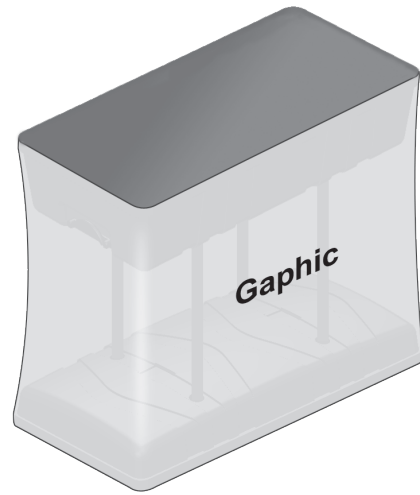
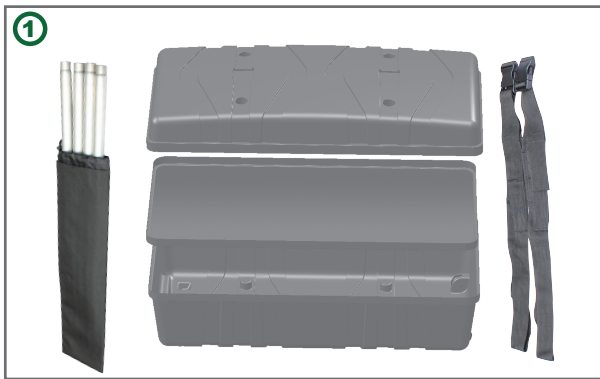


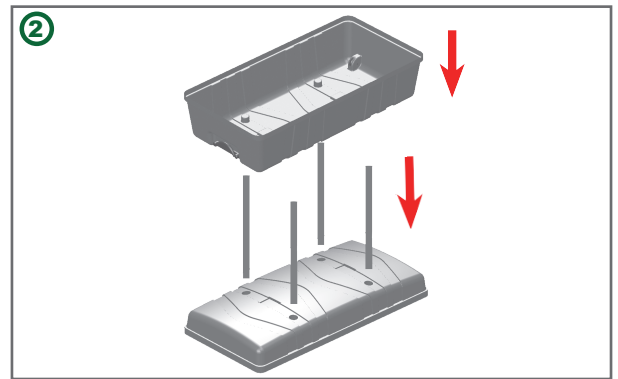
Smart Case To Install



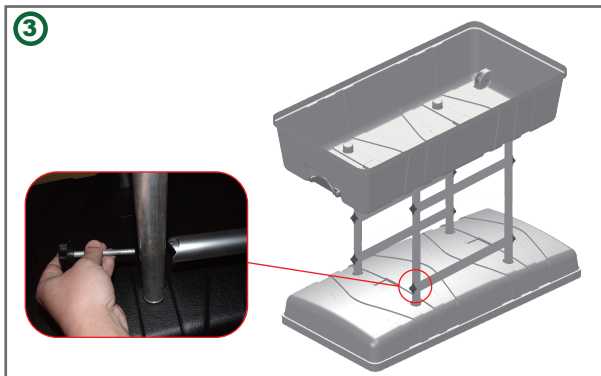
HOW TO INSTALL



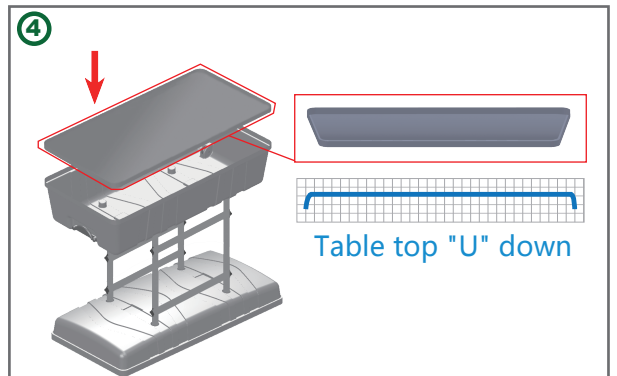
① Unfasten packing string, take apart the shipping case, take out the vertical pipes.



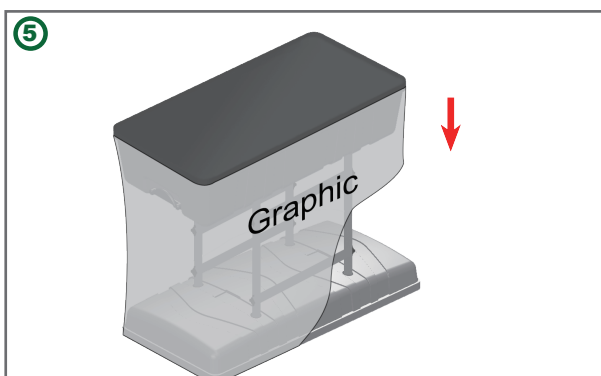
② Install vertical pipes, and install body of case well with vertical pipes.



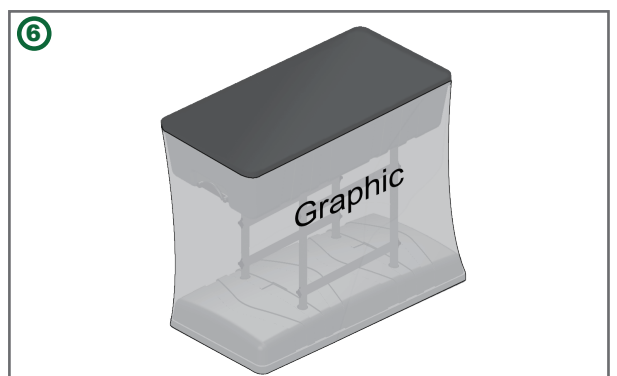
③ Install the horizontal pipe in the vertical tube



④ Put the table top in the case.



⑤ Set up graphic downgrade.



⑥ Finish installment.